

HZM



HZM 45-12 COMPACT TLB



40kW
ENGINE POWER

0.6m³
STND. BUCKET



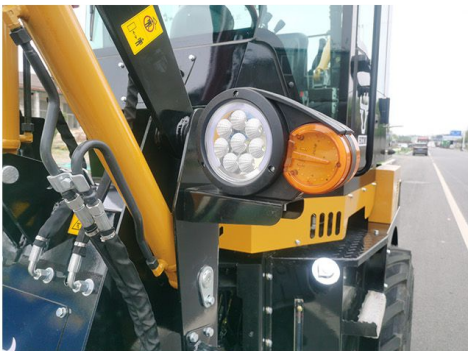
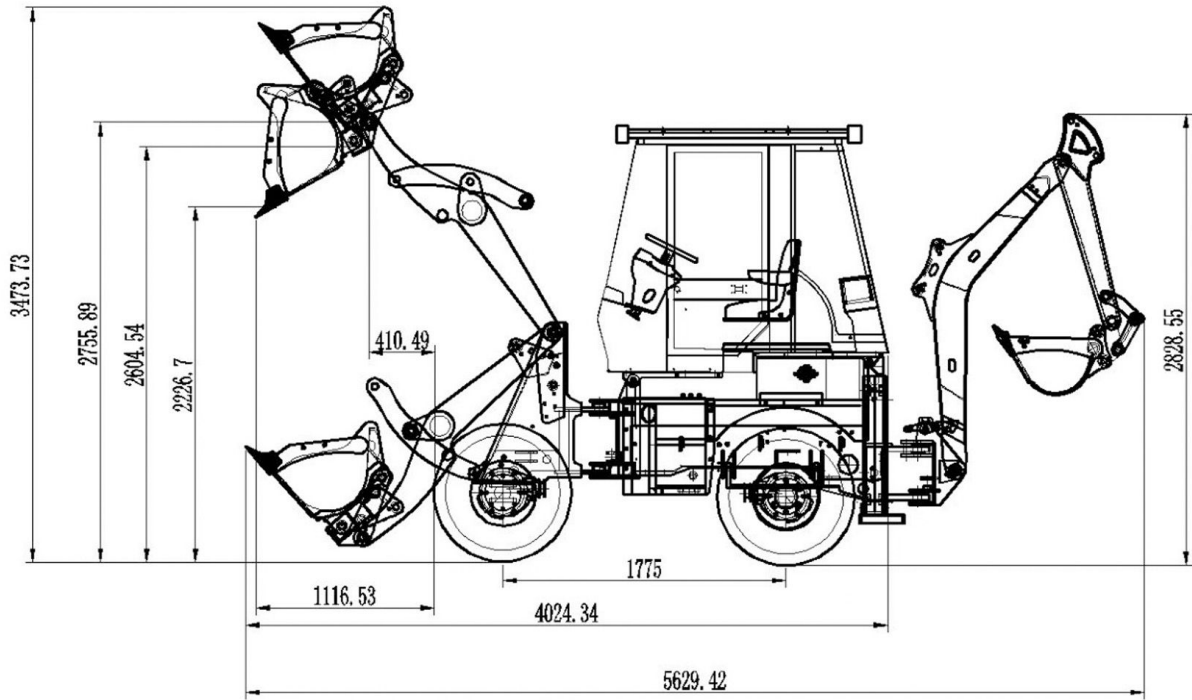


SPECIFICATIONS

Whole Operation Weight	3500KG	Final Reducer	Secondary Level
Transport Dimension		Rated Loader of Axle	5000KG
L*W*H	5629*1680*2746	Transmission System	SHAFT TRANMISSION
Wheel base	1775	Torque Converter	HYDRAULIC
Min. Ground Clearance	280	Model	265
Bucket Capacity	0.8m3	Type	HYDRAULIC
Breakout Force		Max. Efficiency	
Loading Lifting Capacity	1200kg	Inlet Pressure	0.5MPA
Bucket Dumping Height	2755	Outlet Pressure	18MPA
Bucket Dumping Distance	1116	Cooling Method	WATER COOLING
Digging Depth	2630	Gearbox	Hydraulic transmission
Backhoe Capacity	0.2m3	Type	HYDRAULIC
Max. Digging Depth	2630	Oil Pressure of Clutch	15KG
Swing Angle of Excavator Grab	170	Gears	F2 R2
Max. Pulling Force	2T	Max.Speed	18km/h
Engine		Tyre	20.5/70-16
Model	XINCHAI490	Model	
Type	WATER COOLING	Pressure of Front wheel	4.0KG
Cylinder-Inside Diameter*Stroke	4DCYLINDERS -90-100	Pressure of Back Wheel	4.0KG
Rated Power	40kw	Brake System	MECHANICAL
Rated Speed	2650	Service Brake	AIR BRAKE
Min. Fuel Consumption	1.2L/h	Emergency Brake	MECHANICAL
Steering System	HYDRAULIC STEERING		
Model of Steering Device	250		
Steering Angle	28°	Hydraulic System	HIGH PRESSURE PUMP
Min. turning radius	3000mm	Digging Power of Excavator Grab	15kn
Pressure of the system	18mpa	Digging Power of Dipper	12kn



SPECIFICATIONS





KEY FEATURES



ERGONOMIC OPERATOR STATION



BACKHOE DIGGER CONTROLS



CLOSED CABIN



HYDRAULIC QUICK HITCH



CENTRAL ARTICULATION



4WD TRANSMISSION



A/C CLIMATE CONTROL



VERTICAL OUTRIGGERS



360 DEGREE VISIBILITY



BACKHOE ARM LOCK



ADJSUTABLE STEERING COLUMN



GENERAL PURPOSE BUCKET